

Printer Tour

This topic includes:

- "Printer Features" on page 1-2
- "Available Configurations" on page 1-3
- "Front View" on page 1-4
- "Rear View" on page 1-4
- "Internal Components" on page 1-4
- "Printer Options, Upgrades, and Accessories" on page 1-5
- "Resources" on page 1-6

Printer Features

The Phaser 7750 Color Laser Printer embodies many features to meet your print needs.

- Great performance and superior print quality
 - 35 pages per minute (ppm) for both color and monochrome prints
 - Less than 11 seconds first-page-out for color prints
 - Less than 10 second first-page-out for mono prints
 - Customer-installable configuration upgrades
- Flexible paper handling
 - Optional 1500-Sheet Lower Tray Deck
 - Optional 2500-Sheet High-Capacity Feeder
 - Optional Finisher with stapler (compatible with Phaser 7750DN, 7750GX, and 7750DXF configurations)
 - Automatic two-sided printing (available with Phaser 7750DN, 7750GX, and 7750DXF configurations only)
 - Manual two-sided printing (available for supported media types)
- Wide variety of productivity features
 - Toner cartridges deliver excellent print quality and are easy to replace.
 - PhaserSMART provides online troubleshooting.
 - CentreWare Internet Services (an embedded web server) helps to manage, configure, and troubleshoot the printer from your computer.
 - PrintingScout provides onscreen notification and guidance if the printer needs help.
 - MaiLinX email notifies a specific person when supplies or maintenance are needed.
 - MaiLinX prints to your network printer from anywhere you have email.

Available Configurations

The Phaser 7750 Color Laser Printer is available in four configurations.

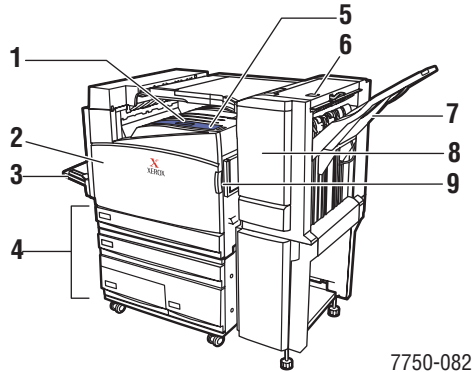
Features	Printer Configuration			
	7750B	7750DN	7750GX	7750DXF
Maximum Print Speed	35	35	35	35
Standard Memory (MB)	256	384	512	512
PostScript and PCL Fonts	Yes	Yes	Yes	Yes
Secure, Proof, and Saved Print Jobs	NA*	Yes	Yes	Yes
Automatic 2-Sided Printing	NA*	Yes	Yes	Yes
Photo Mode	NA*	Yes	Yes	Yes
Maximum Resolutions (dpi)	1200x1200	1200x1200	1200x1200	1200x1200
1500-Sheet Lower Tray Deck	Optional†	Optional†	Yes	NA
2500-Sheet High-Capacity Feeder	Optional†	Optional†	NA	Yes
Banner-Size Printing	NA*	Yes	Yes	Yes
USB Connection	Yes	Yes	Yes	Yes
10/100 Ethernet Connection	NA*	Yes	Yes	Yes
Internal Hard Drive	Yes	Yes	Yes	Yes
Finisher	NA	Optional†	Optional	Yes
Tray Switching	Optional†	Optional†	Yes	Yes

*Requires a Phaser 7750DN upgrade.

†Requires a Feeder upgrade.

All configurations support two memory slots. The maximum memory is 1 Gigabyte (GB).

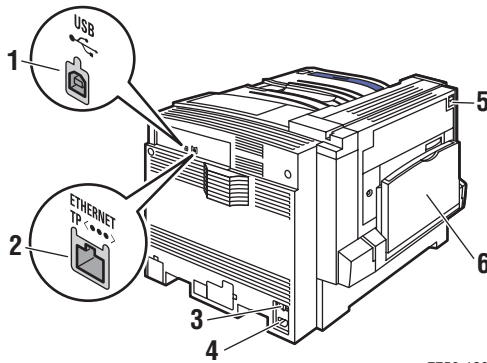
Front View



7750-082

1. Top Output Tray
2. Front Door
3. Tray 1 (MPT) (Left side of printer)
4. 2500-Sheet High-Capacity Feeder (1500-Sheet Lower Tray Deck not shown)
5. Power Switch
6. Finisher Top Door H release
7. Finisher Output Tray
8. Finisher Door J
9. Front Door right side release (Release on left side not displayed.)

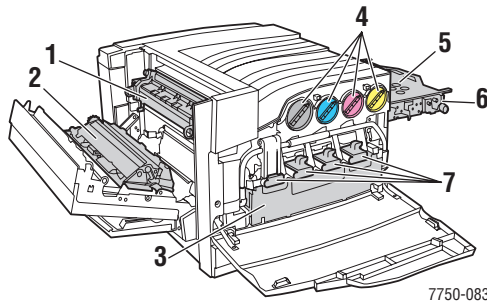
Rear View



7750-120

1. USB connection
2. Ethernet 10/100 Base-T connection
3. Ground Fault Interrupt (GFI) reset
4. Power cord connection
5. Latch to open Left Door A
6. Tray 1 (MPT) in closed position

Internal Components



7750-083

1. Fuser
2. Transfer roller
3. Waste cartridge
4. Toner cartridges
5. Accumulator belt
6. Accumulator belt cleaner
7. Imaging Units

Printer Options, Upgrades, and Accessories

Printer options, upgrades, and an accessory are available for the Phaser 7750 Color Laser Printer.

Options

- 128 MB RAM memory card
- 256 MB RAM memory card
- 512 MB RAM memory card
- 1500-Sheet Lower Tray Deck
- 2500-Sheet High-Capacity Feeder
- Finisher output tray and stapler
- PhaserMatch Software CD-ROM

Upgrades

- Phaser 7750B to Phaser 7750DN upgrade kit

For more information on printer options and upgrades, go to www.xerox.com/office/7750supplies.

Accessory

- Printer Cart (for 7750B or 7750DN configuration)

Color

Xerox Phaser color printers embody 20 years of printing experience. While different models are optimized for tasks, such as fast, easy, office printing or complex, large format graphic arts applications, all Phaser color printers share important characteristics that contribute to the Xerox reputation for color image quality.

Exceptional color quality starts with the controller. Xerox designs and builds the Phaser printer controller. Working in unison with advanced printer driver software, your printer incorporates capabilities, such as custom color tables for color accuracy. The proprietary TekColor correction applies the best color correction mode to each element on the page. This results in bright, vivid colors in solid fill areas, good detail in photographs, and crisp text.

Your printer also uses Adobe PostScript 3 for the most accurate page rendering and image quality. Together, these features combine to give you consistently high-quality results for a broad range of printing needs.

For more information about color and your printer, go to [Reference/Printing/Using Color](#) on the *User Documentation CD-ROM*.

Resources

You can obtain information regarding your printer and its capabilities from the following sources:

Information	Source
Setup Guide	Packaged with printer
Quick Reference Guide	Packaged with printer
Warranty	Packaged with printer
Supplies Guide	Packaged with printer
Reference Guide	Packaged with printer (<i>User Documentation CD-ROM</i>)
Printer Management Tools	www.xerox.com/office
infoSMART Knowledge Base	www.xerox.com/office/infoSMART
PhaserSMART	www.phaserSMART
Technical Support	www.xerox.com/office/support
Information Pages	<ul style="list-style-type: none"> ■ Front panel ■ CentreWare IS ■ Printer Driver